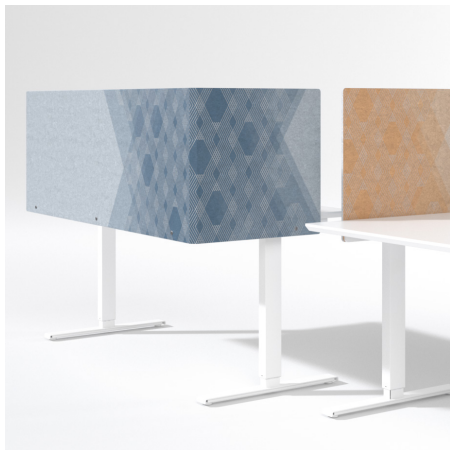


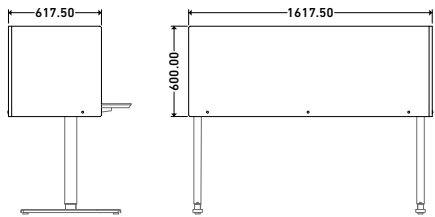
acoustic desk screen

Fokus - Rhombus



Rhombus is one of our desk screen series that comes in three distinct families. Rhombus stands out with its intricate diamond-shaped overlapping pattern, created by intersecting engraved lines and transparent layered colors. The Rhombus desk screen is both visually appealing and functional. It features a porous textile-like acoustic material that allows you to easily pin notes and memos on the screen.

Choose from a range of pre-selected color combinations to match your space, or you can request a custom color or palette that perfectly suits your needs. The color and pattern are applied to both the outer faces and the side interior face. The desk screen can be specified with left or right side wall.



Designer / Year Of Design

Tuyo Design Studio / 2022

Pattern

Focus Rombo without engraved pattern is available as option.

Acoustic

Tested according to ISO 354.
Complete report available on request.

Fire Rating

B-s2-d0

Mounting

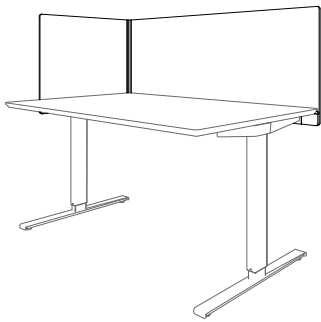
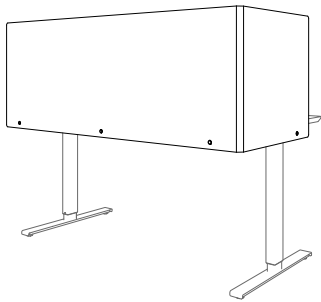
Focus is fixed to the desk with three separate L-brackets under the front of the desk and one under the side. Fits most tables 1600mm wide. Other sizes can be produced to measure.

Maintenance

Vacuum to remove dust. Clean stains with cloth and water, avoiding rubbing. Use detergent or spot remover for tough stains, testing first in inconspicuous area.

Material / PET Felt

With its textile like appearance, PET felt is a great choice for use in interior design and decorative applications. Despite its soft look, PET felt has good impact-resistance, making it a durable option for long-term use, even in demanding spaces. The open structure of felt is one of its key features, as it contributes to its outstanding acoustic properties. This means that the material can effectively absorb sound, making it an ideal choice for our products.



Product configurations

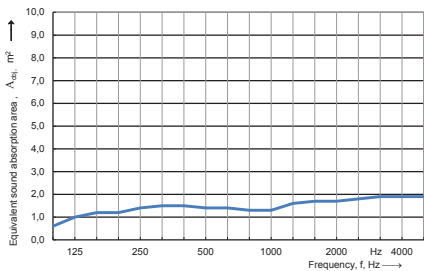


RIGH SIDE WALL



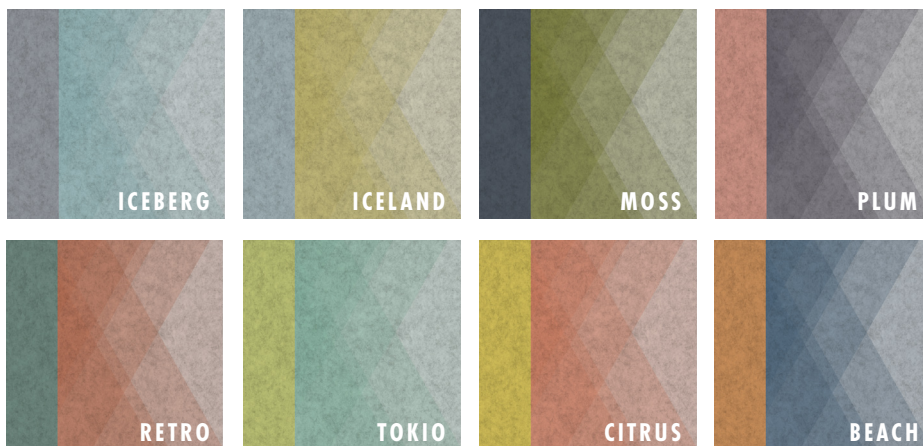
LEFT SIDE WALL

Equivalent sound absorption area according to ISO 354



Complete test report available on request

Designer's color palettes



Custom colors

We offer a range of customized products and services to help you achieve your desired outcome. Our standard products can be personalized to match any specific color or palette. Please note that our printed colors may differ slightly from your reference due to our raw material's natural appearance (see picture for reference), but we always do our best to match your specific color as closely as possible. To ensure this, we encourage you to send us a standard color code (NCS or PANTONE) or a reference swatch.

To customize the color of your Fokus acoustic desk screen, we require two color codes - one for the outer faces and a second one for inside side wall. To maintain its original appearance, we suggest that you choose colors that harmonize or complement each other. However, if you have only one color reference, you can contact us, and we will help you find the perfect combination.

