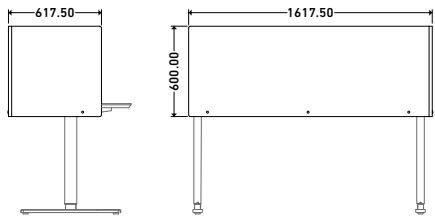


Fokus - Cubes



Fokus desk screen series offers three unique families, with one of them being Cubes. Cubes stands out with its optical illusion of three-dimensional cubic shapes, making it visually appealing. Its porous textile-like acoustic material allows for easy pinning of notes and memos. The desk screen comes in pre-selected color combinations or custom color and to match your workspace decor. The design is applied to both the outer and side interior faces, ensuring a cohesive and visually appealing look from any angle. Additionally, the desk screen can be specified with either a left or right side wall to fit your workspace needs.



Designer / Year Of Design
Tuyo Design Studio / 2022

Acoustic
Tested according to ISO 354.
Complete report available on request.

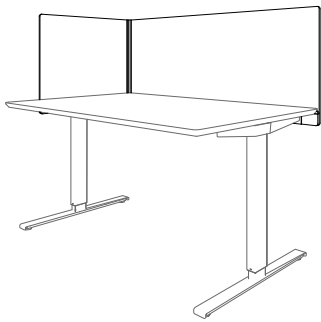
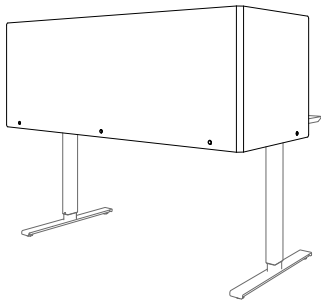
Fire Rating
B-s2-d0

Mounting
Focus is fixed to the desk with three separate L-brackets under the front of the desk and one under the side. Fits most tables 1600mm wide. Other sizes can be produced to measure.

Maintenance
Vacuum to remove dust. Clean stains

with cloth and water, avoiding rubbing. Use detergent or spot remover for tough stains, testing first in inconspicuous area.

Material / PET Felt
With its textile like appearance, PET felt is a great choice for use in interior design and decorative applications. Despite its soft look, PET felt has good impact-resistance, making it a durable option for long-term use, even in demanding spaces. The open structure of felt is one of its key features, as it contributes to its outstanding acoustic properties. This means that the material can effectively absorb sound, making it an ideal choice for our products.



Product configurations

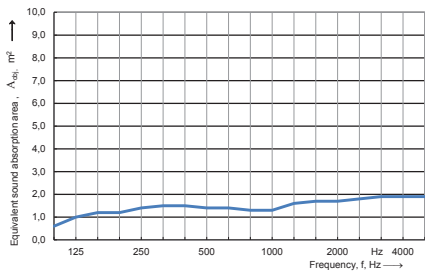


RIGH SIDE WALL



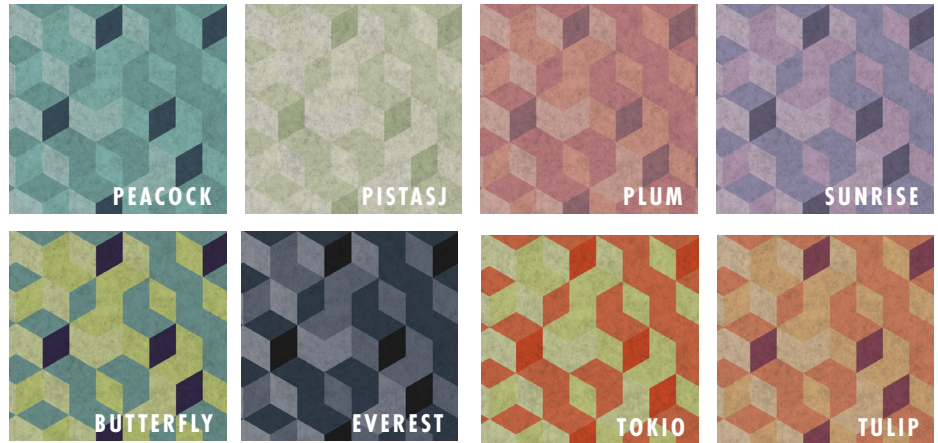
LEFT SIDE WALL

Equivalent sound absorption area according to ISO 354



Complete test report available on request

Designer's color palettes



Custom colors

We offer a range of customized products and services to help you achieve your desired outcome. Our standard products can be personalized to match any specific color or palette. Please note that our printed colors may differ slightly from your reference due to our raw material's natural appearance (see picture for reference), but we always do our best to match your specific color as closely as possible. To ensure this, we encourage you to send us a standard color code (NCS or PANTONE) or a reference swatch.

To customize the color of your Fokus - cubes acoustic desk screen, we require three color codes. To maintain its original appearance, we suggest that you choose colors that harmonize or complement each other. However, if you have only one color reference, you can contact us, and we will help you find the perfect combination.

